



SUNRISE Fluid Power Inc.

No. 7, Road 12, Industrial Zone, Taichung City 407, Taiwan

Tel: 886-4-2359-1190

Fax: 886-4-2359-3409

sales@sunriseiw.com.tw

www.sunriseiw.com.tw

SUNRISE HYDRAULIC IRONWORKER

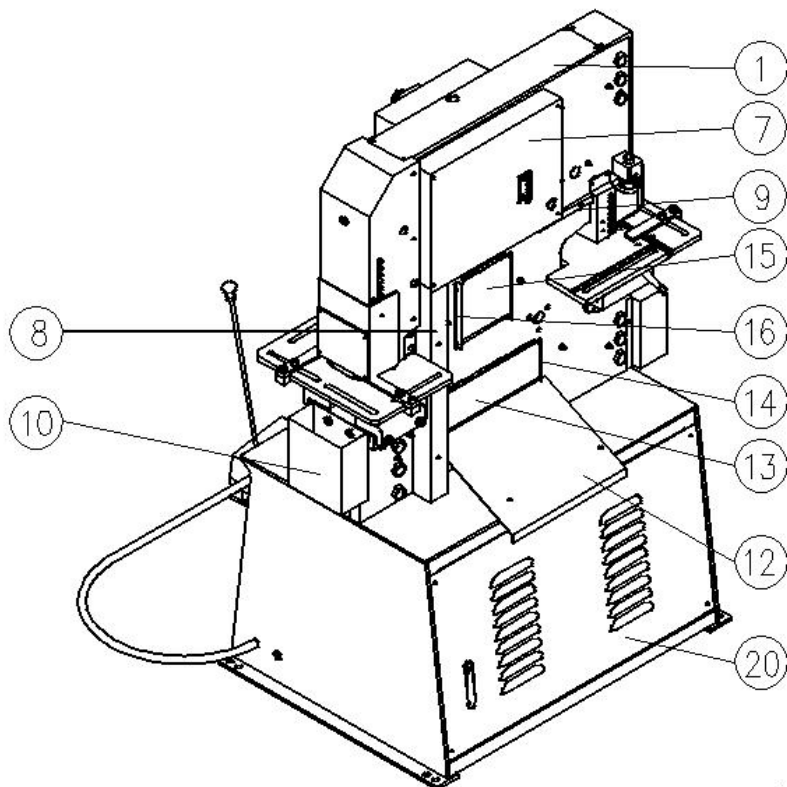
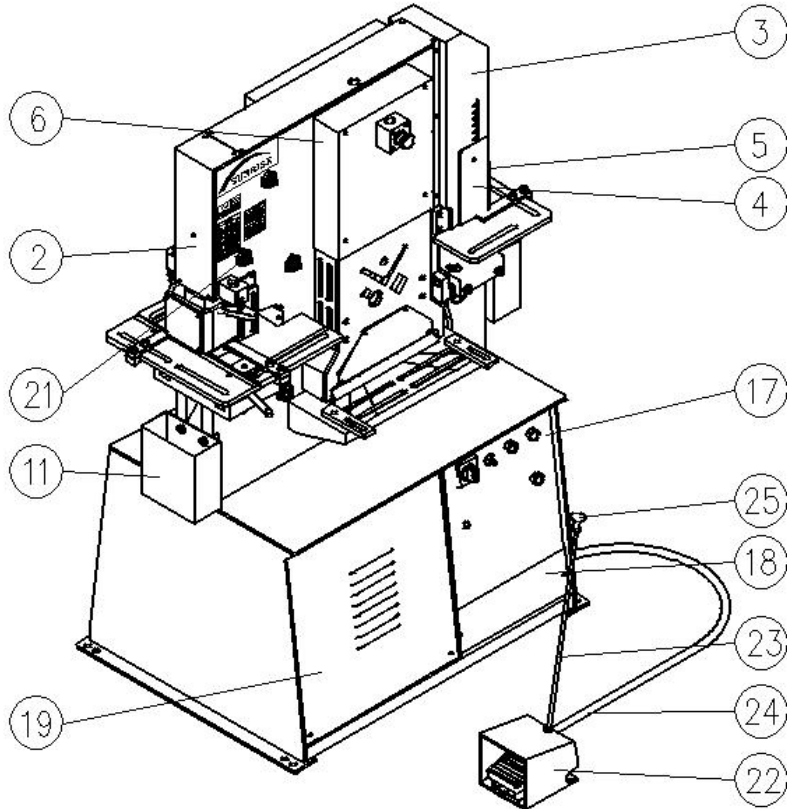
IW-60K

SPARE PARTS LIST

633EG290

12-2012

IW-60K





SUNRISE Fluid Power Inc.

No. 7, Road 12, Industrial Zone, Taichung City 407, Taiwan

Tel: 886-4-2359-1190

Fax: 886-4-2359-3409

sales@sunriseiw.com.tw

www.sunriseiw.com.tw

Sunrise Ironworker Parts List

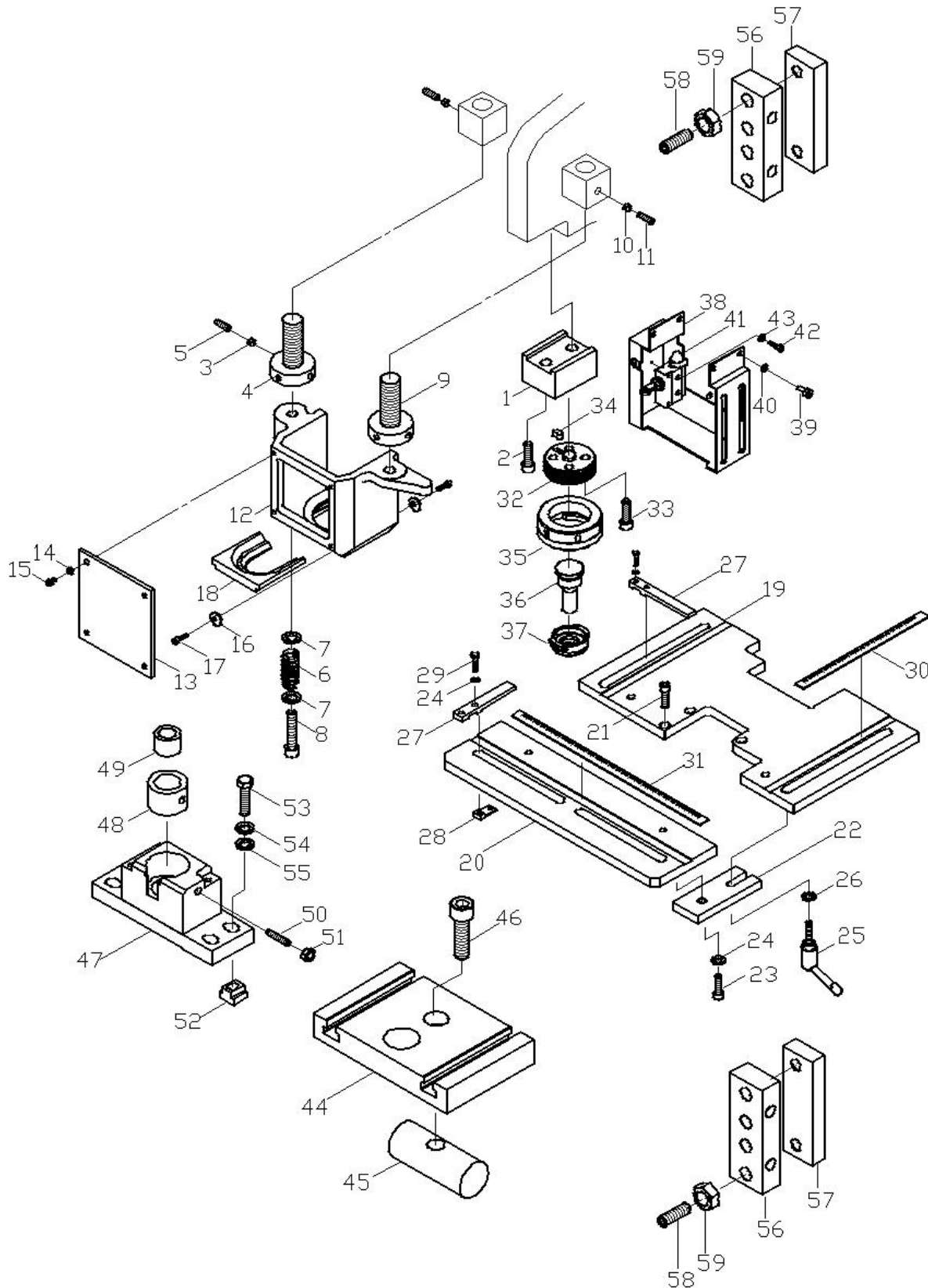
Model: IW-60K

Part: Cover Plates

Date: 02/2012

Item	Part Number	Description	產品名稱	Q'ty	Memo
1	212902011A	Top Cover	上護板	1	
2	212902015	Punching Station Cover	沖孔側護蓋	1	
3	212902050C	Notching Station Cover(一)	剪角側安全護蓋	1	
4	211602051C	Notching Station Cover(二)	剪角安全護板	1	
5	42STBH003	Notching Clear Cover	剝料器安全護板	1	
6	212902018A	Front Cylinder Cover	油壓缸前護蓋	1	
7	212902031E	Cylinder Cover	油壓缸護蓋	1	
8	212902013B	Hose Cover	油管配線蓋	1	
9	212902033	Wire Cover	配線護蓋	1	
10	211302022	Scrap Box for Notching	剪角鐵屑盒	1	
11	211302022	Scrap Box for Notching	剪角鐵屑盒	1	
12	212902004	Flat Bar Shear Back Plate	滑料片	1	
13	212902005	Safety Guard for Flat Shear	剪平板護板	1	
14	211602021A	Side Safety Guard for Flat Shear	剪平板角板	1	
15	212902006	Safety Guard for Bar and Angle Shear	圓方角鐵剪切護板	1	
16	212902020	Side Safety Guard for Bar and Angle Shear	圓方角鐵角板	2	
17	212902902	212902052A 212902056 211602003B 52414APL93902	Electrical Box	電氣箱總成	1
18	212902022	Front Base Cover	電氣箱底座護蓋	1	
19	212902008	Front Base Cover	底座前蓋	1	
20	212902009A	Rear Base Cover	底座後蓋	1	
21	213010005 211310008B	Adjust Pushing Screw Adjust Pushing Nut	壓塊固定螺絲 壓塊固定螺帽	7	
22	52413YC135D	Foot Switch YC-135D(CE)	腳踏開關	1	
23	213210008	Foot Switch Handle	腳踏開關提桿	1	
24	56320G0061800A	Foot Switch Cable 3/8"X 1800	腳踏開關軟管 1800mm	1	
25	56314118036M10	Waist Shaped Knobs 1180-36-M10	凹槽式旋鈕	1	

IW-60K Punching Station





SUNRISE Fluid Power Inc.

No. 7, Road 12, Industrial Zone, Taichung City 407, Taiwan

Tel: 886-4-2359-1190

Fax: 886-4-2359-3409

sales@sunriseiw.com.tw

www.sunriseiw.com.tw

Sunrise Ironworker Parts List

Model: **IW-60K**

Part: **Punching Station**

Date: 02/2012

Item	Part Number	Description	產品名稱	Q'ty	Memo
1	212905010	Retaining Thread Support	螺紋塊固定座	1	
2	56301A0014035	Hex Bolt M14X35	六角承窩頭螺栓	2	
3	211305090	212211009	Copper Piece	銅墊	1
4		211305005B	Stripper Adj. Screw (2)	剝料器調整螺桿(二)	1
5		56301C0006010	Set Screw M6X10	止付內六角螺栓	1
6		211305006	Stripper Spring	沖孔剝料器彈簧	1
7		56303D00012024045	Flat Washer M12	平墊圈	2
8		56301A0012090	Hex Bolt M12X90	六角承窩頭螺栓	1
9		211305004B	Stripper Adj. Screw (1)	剝料器調整螺桿(一)	1
10	213205010	Copper Piece	銅墊	2	
11	56301C0010012	Set Screw M10X12	止付內六角螺栓	2	
12	42STMD	42STMC003B	Stripper	沖孔剝料器	1
13		42STMC002	Stripper Clear Cover	剝料器護板	1
14		56303A00005	Spring Washer M5	彈簧墊圈	4
15		56301A0005012	Hex Bolt M5X12	六角承窩頭螺栓	4
16		42STBC004	Washer	墊片	2
17		56301I0005008	Cap Screw M5X8	半圓內六孔	2
18		42STBC003A-20 42STBC003A-42	Stripper Exchangeable Plate	剝料器底板	1
19		211905100	212905001A	Punching Table A (Main)	沖孔工作板(A)
20	211605004C		Punching Table B (Front)	沖孔工作板(B)	1
21	56301A0008016		Hex Bolt M8X16	六角承窩頭螺栓	3
22	211305009B		Table Connecting Plate	工作板連接塊	2
23	56301A0010025		Hex Bolt M10X25	六角承窩頭螺栓	2
24	56303A00010		Spring Washer M10	彈簧墊圈	6
25	56315404163M1025		Clamp Handle M10X25	萬向把手	2
26	56303B11012025		Flat Washer M10	平墊圈	2
27	211605008A		Stopper Plate	工作板定位塊	2
28	211605009A		Clamping Plate	定位板固定滑塊	2
29	56301A4010040		Hex Bolt M10X40	六角承窩頭螺栓	4
30	211905003A		Punching Stopper Guide Ruler	沖孔工作板 Y 軸標尺	2
31	211605011A	Punching Table Ruler	沖孔工作板 X 軸標尺	1	



SUNRISE Fluid Power Inc.

No. 7, Road 12, Industrial Zone, Taichung City 407, Taiwan

Tel: 886-4-2359-1190

Fax: 886-4-2359-3409

sales@sunriseiw.com.tw

www.sunriseiw.com.tw

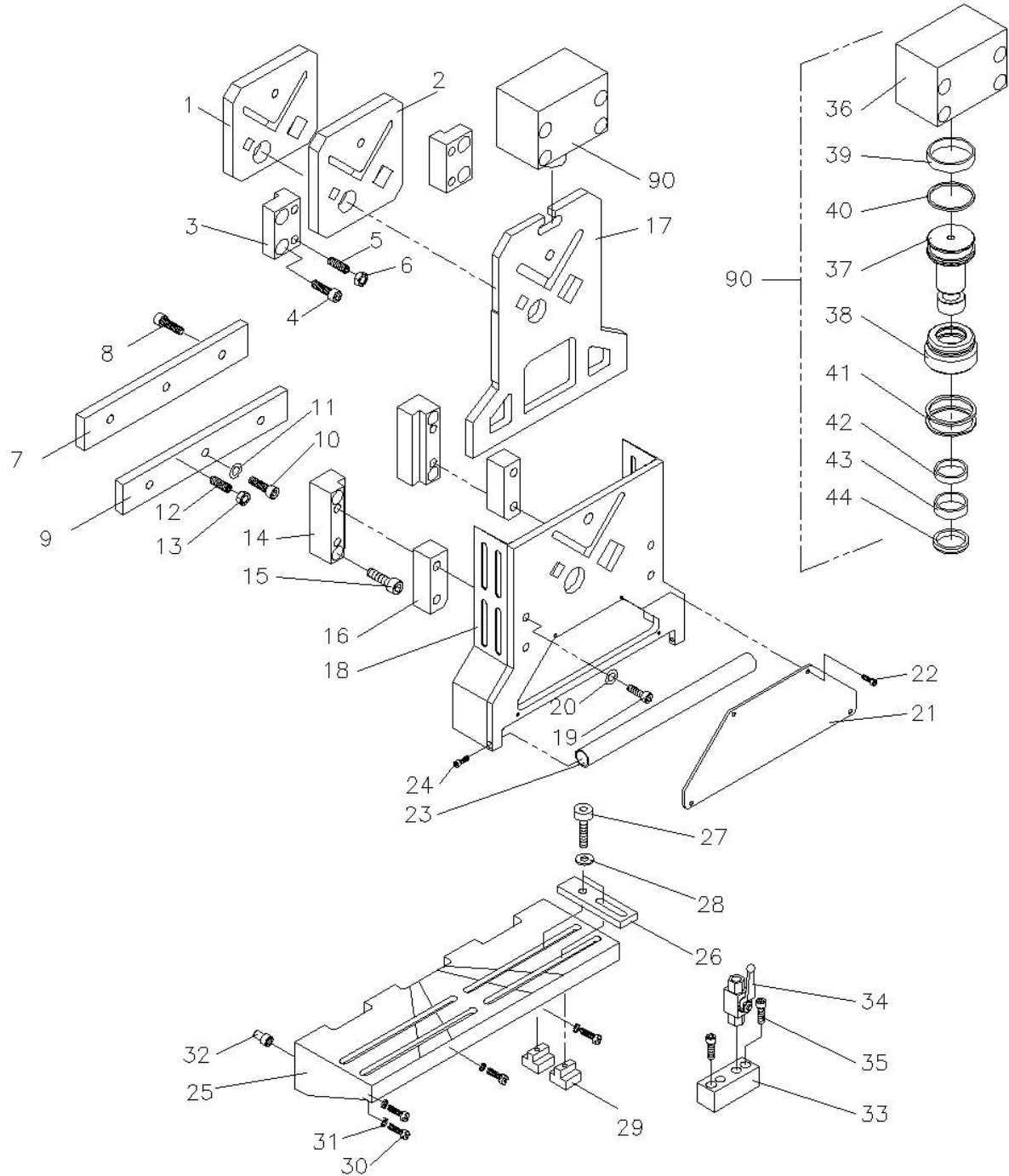
Model: **IW-60K**

Part: **Punching Station**

Date: 02/2012

Item	Part Number	Description	產品名稱	Q'ty	Memo
32	42RTAQA	Retaining Thread	螺紋塊	1	
33	56301A0010025	Hex Bolt M10X25	六角承窩螺栓	4	
34	56305D00606018	Locating Key	雙頭圓鍵	1	
35	42RNAQA	Retaining Nut	沖頭鎖緊螺帽	1	
36	41RP1	Punch	圓孔上模	1	
37	42RSAQ30B 42RSAQM40B	Quick Change Sleeve	快拆上模套環	1	
38	212902049A	Stripper Rear Guard	沖孔防護蓋	1	
39	56301A0005012	Hex Bolt M5X12	六角承窩螺栓	4	
40	56303A00005	Spring Washer M5	彈簧墊圈	4	
41	52411TZ7312	Limit Switch	微動開關	1	
42	56301A0004025	Hex Bolt M4X25	六角承窩頭螺栓	2	
43	56303B10005010	Flat Washer M4	平墊圈	2	
44	211601006B	Mounting Table	沖孔座固定板	1	
45	212901005	Clamping Shaft	剪角座固定軸	1	
46	56301A0020065	Hex Bolt M20X65	六角承窩螺栓	1	
47	43A2SMB	Die Holder	單孔下模座	1	
48	43BS1C	Die Bushing	下模襯套	1	
49	41RD1	Die	圓孔下模	1	
50	56301C7010045	Set Screw M10X45	止付內六角螺栓	1	
51	56302B0110	Nut M10	螺帽	1	
52	211305011	T-Shaped Nut M16	T型螺帽	4	
53	56301A0016050	Bolt M16X50	六角頭螺栓	4	
54	56303A00016	Spring Washer M16	彈簧墊圈	4	
55	56303D00016032045	Flat Washer M16	平墊圈	4	
56	212901013	Adjust Plate	滑塊調整座	2	
57	212901009	Guide Plate	調整滑塊	2	
58	211610003	Adjust Screw	調整螺絲	8	
59	56302B0120	Nut M20	螺帽	8	

IW-60K Hydraulic Holddown For Flat Bar Shear





SUNRISE Fluid Power Inc.

No. 7, Road 12, Industrial Zone, Taichung City 407, Taiwan

Tel: 886-4-2359-1190

Fax: 886-4-2359-3409

sales@sunriseiw.com.tw

www.sunriseiw.com.tw

Sunrise Ironworker Parts List

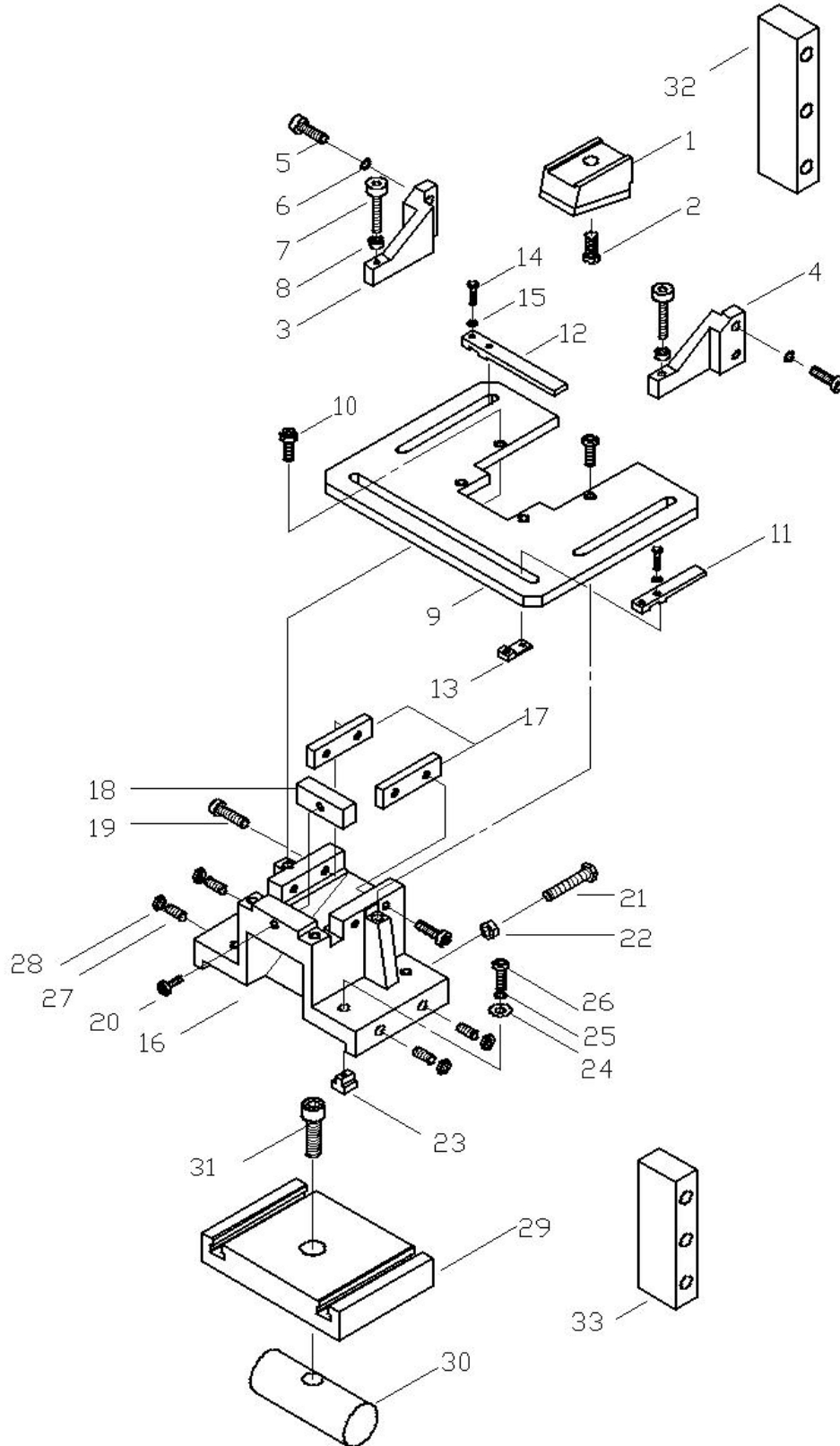
Model: IW-60K

Part: Shear Station

Date: 02/2012

Item	Part Number	Description	產品名稱	Q'ty	Memo
1	212909001	Angle, Rd/Sq Bar Shear Moving Blade	圓方刀具(活動)	1	
2	212909002	Angle, Rd/Sq Bar Shear Stationary Blade	圓方刀具(固定)	1	
3	211309004	Rd/Sq Bar Shear Blade Fix Plate	圓方刀具固定塊	2	
4	56301A0012020	Hex Bolt M12X20	六角承窩頭螺栓	4	
5	56301C8010040	Set Screw M10X40	止付內六角螺栓	4	
6	56302B0110	Nut M10	螺帽	4	
7	212908001	Flat Shear Upper Blade	平板刀具(活動)	1	
8	56301A0012035	Hex Bolt M12X35	六角承窩頭螺栓	3	
9	211108001C	Flat Shear Lower Blade	平板刀具(固定)	1	
10	56301A0012040	Hex Bolt M12X40	六角承窩頭螺栓	3	
11	56303A00012	Spring Washer M12	彈簧墊圈	3	
12	56301C8010030	Set Screw M10X30	止付內六角螺栓	4	
13	56302B0110	Nut M10	螺帽	4	
14	212901025A	Holddown Guide Block	壓板移動座	2	
15	56301A0012050	Hex Bolt M12X50	六角承窩頭螺栓	4	
16	212908004	Holddown Guide Block	壓板壓桿	2	
17	212908002	Hydraulic Holddown for Flat Shear(M)	油壓平板剪切壓板(活動)	1	
18	2908900	212908003 212902042 212902043	Hydraulic Holddown for Flat Shear(S)	1	
19	56301A0012050	Hex Bolt M12X50	六角承窩頭螺栓	4	
20	56303A00012	Spring Washer M12	彈簧墊圈	4	
21	211608009	Cover for Hydraulic Holddown	油壓平板護蓋	1	
22	56301A0005015	Hex Bolt M5X15	六角承窩頭螺栓	4	
23	212910001	Protective Pipe	安全護管	1	
24	56301A0006025	Hex Bolt M6X25	六角承窩頭螺栓	2	
25	212908005	Flat Shear Table	平板支持座	1	
26	213208002A	Flat Shear Stopper	平板固定塊	2	
27	56301A0012035	Hex Bolt M12X35	六角承窩頭螺栓	4	
28	56303D00012024045	Flat Washer M12	平墊圈	4	

IW-60K Notching Station Assembly





SUNRISE Fluid Power Inc.

No. 7, Road 12, Industrial Zone, Taichung City 407, Taiwan

Tel: 886-4-2359-1190

Fax: 886-4-2359-3409

sales@sunriseiw.com.tw

www.sunriseiw.com.tw

Sunrise Ironworker Parts List

Model: IW-60K

Part: Notching Station

Date: 02/2012

Item	Part No	Description	產品名稱	Q'ty	Memo
1	212906001	Notcher Top Blade	方形剪角上刀	1	
2	56301A0016040	Hex Bolt M16X40	六角承窩頭螺栓	1	
3	211306004A	Notching Stripper (left)	剪角剝料器(左)	1	
4	211306005A	Notching Stripper (right)	剪角剝料器(右)	1	
5	56301A0012030	Hex Bolt M12X30	六角承窩頭螺栓	4	
6	56303A00012	Spring Washer M12	彈簧墊圈	4	
7	56301A0008050	Hex Bolt M8X50	六角承窩頭螺栓	2	
8	56302B0108	Nut M8	六角螺帽	2	
9	211606100	211606003A	Notching Table	剪角工作板	1
10		56301A0008016	Hex Bolt M8X16	六角承窩頭螺栓	4
11		211605008A	Stopper Plate (short)	工作板定位塊(短)	1
12		211606007	Stopper Plate (long)	工作板定位塊(長)	1
13		211605009A	Clamping Plate	定位板固定滑塊	2
14		56301A0010040	Hex Bolt M10X40	六角承窩頭螺栓	4
15		56303A00010	Spring Washer M10	彈簧墊圈	4
16		211306008D	Notching Bolster	方型剪角下模座	1
17	211306002F	Notcher Side Blades	方型剪角側刀	2	
18	211306003C	Notcher Front Blades	方型剪角前刀	1	
19	56301A0010020	Hex Bolt M10X20	六角承窩頭螺栓	4	
20	56301A0010035	Hex Bolt M10X35	六角承窩頭螺栓	1	
21	56301A0012040	Hex Bolt M12X40	六角承窩頭螺栓	2	
22	56302B0112	Nut M12	六角螺帽	2	
23	211305012	T-Shaped Nut M12	T形螺帽	4	
24	56303D00012024045	Flat Washer M12	平墊圈	4	
25	56303A00012	Spring Washer M12	彈簧墊圈	4	
26	56301A0012050	Hex Bolt M12X50	六角承窩頭螺栓	4	
27	56301C0012025	Set Screw M12X25	止付內六角螺栓	4	
28	56302B0112	Nut M12	六角螺帽	4	
29	211601007B	Mounting Table	剪角座固定板	1	
30	212901005	Clamping Shaft	剪角座固定軸	1	
31	56301A0020065	Hex Bolt M20X65	六角承窩頭螺栓	1	
32	212901012	Main Slide Guide Plate (1)	基準塊(一)	1	
33	212901008	Main Slide Guide Plate (2)	基準塊(二)	1	

Electric BackGauge Assembly

