



**SUNRISE Fluid Power Inc.**

No. 7, Road 12, Industrial Zone, Taichung City 407, Taiwan

Tel: 886-4-2359-1190

Fax: 886-4-2359-3409

sales@sunriseiw.com.tw

www.sunriseiw.com.tw

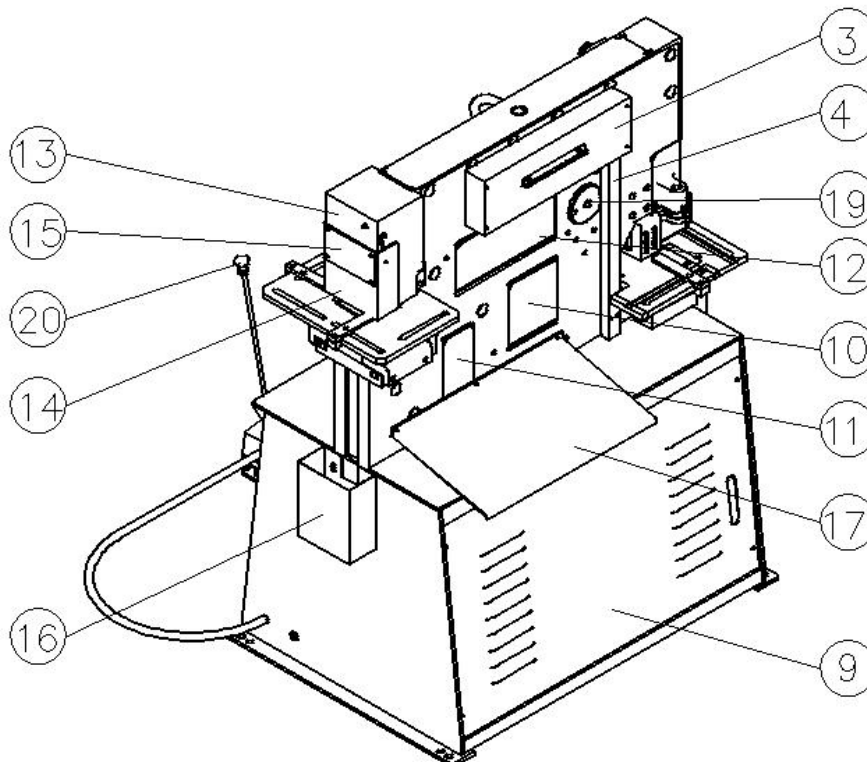
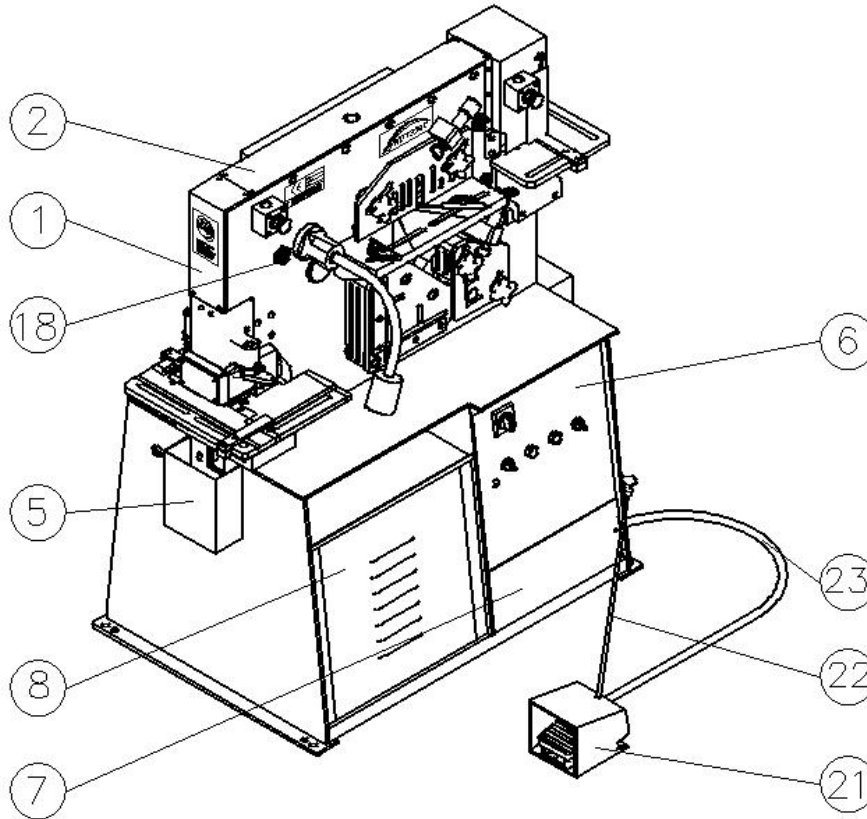
---

# **SUNRISE HYDRAULIC IRONWORKER**

## **IW-50A**

### **SPARE PARTS LIST**

## IW-50A





**SUNRISE Fluid Power Inc.**

No. 7, Road 12, Industrial Zone, Taichung City 407, Taiwan

Tel: 886-4-2359-1190

Fax: 886-4-2359-3409

sales@sunriseiw.com.tw

www.sunriseiw.com.tw

## Sunrise Ironworker Parts List

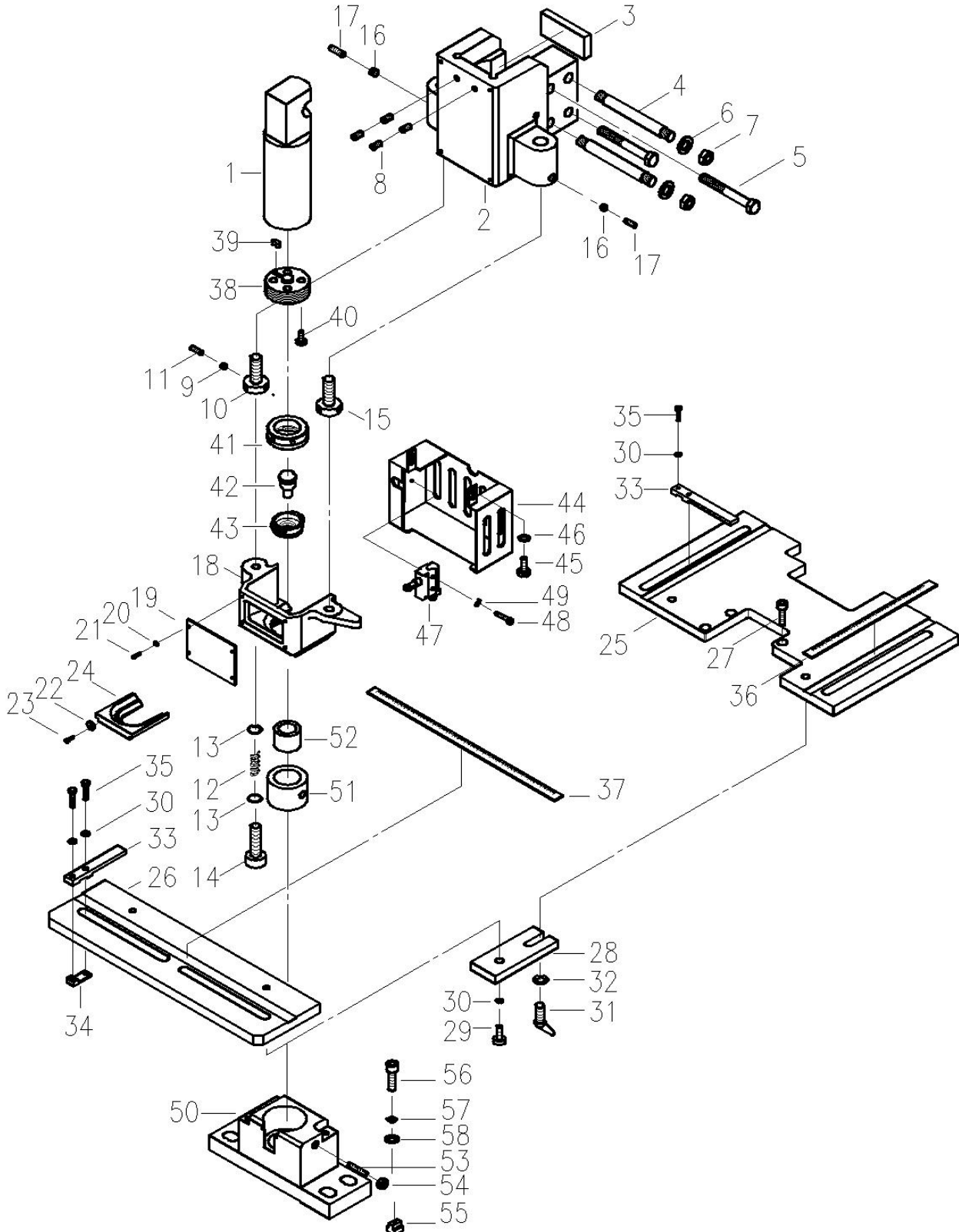
Model: IW-50A

Part: Cover Plates

Date: 02/2012

Item	Part Number	Description	產品名稱	Q'ty	Memo
1	211802001B	Top Cover A	護蓋固定板 A	1	
2	211802002E	Top Cover B	護蓋固定板 B	1	
3	211802009E	Limit Switch Cover	微動開關護板	1	
4	211802003B	Wire Cover for Limit Switch	微動開關配線蓋		
5	211302021A	Scrap Box for Punching	沖孔鐵屑盒	1	
6	211802900	211802011B 211302025C 211802012A 52414APL93902	Electrical Box 電氣箱總成	1	
7	211802018B	Front Base Cover	電氣箱底座護蓋	1	
8	211202002A	Front Base Cover	底座前蓋	1	
9	211802021A	Rear Base Cover	底座後蓋	1	
10	211802005	Safety Guard for Angle Shear	剪角鐵護板	1	
11	211802007	Safety Guard for Bar Shear	剪圓方護板	1	
12	211802006	Safety Guard for Flat Shear	剪平板護板	1	
13	211802027A	Notching Station Cover	剪角側安全護蓋	1	
14	211802028	Safety Guard for Notching	剪角安全護板	1	
15	211802029	Notching Clear Cover	剪角壓克力護板	1	
16	211302022	Scrap Box for Notching	剪角鐵屑盒	1	
17	211302018B	Flat Bar Shear Back Plate	機台排屑保護板	1	
18	211310007D 211310008B	Adjust Pushing Screw Adjust Pushing Nut	壓塊固定螺絲 壓塊固定螺帽	4	
19	211810001	Main Pivot Pin	支持點心軸	1	
20	56314118036M10	Waist Shaped Knobs 1180-36-M10	凹槽式旋鈕	1	
21	52413YC135D	Foot Switch YC-135D(CE)	腳踏開關	1	
22	213210008	Foot Switch Handle	腳踏開關提桿	1	
23	56320G0061800A	Foot Switch Cable 1800mm	電線保護管 1800mm	1	

## Punching Station for IW-50A





**SUNRISE Fluid Power Inc.**

No. 7, Road 12, Industrial Zone, Taichung City 407, Taiwan

Tel: 886-4-2359-1190

Fax: 886-4-2359-3409

sales@sunriseiw.com.tw

www.sunriseiw.com.tw

## Sunrise Ironworker Parts List

Model: IW-50A

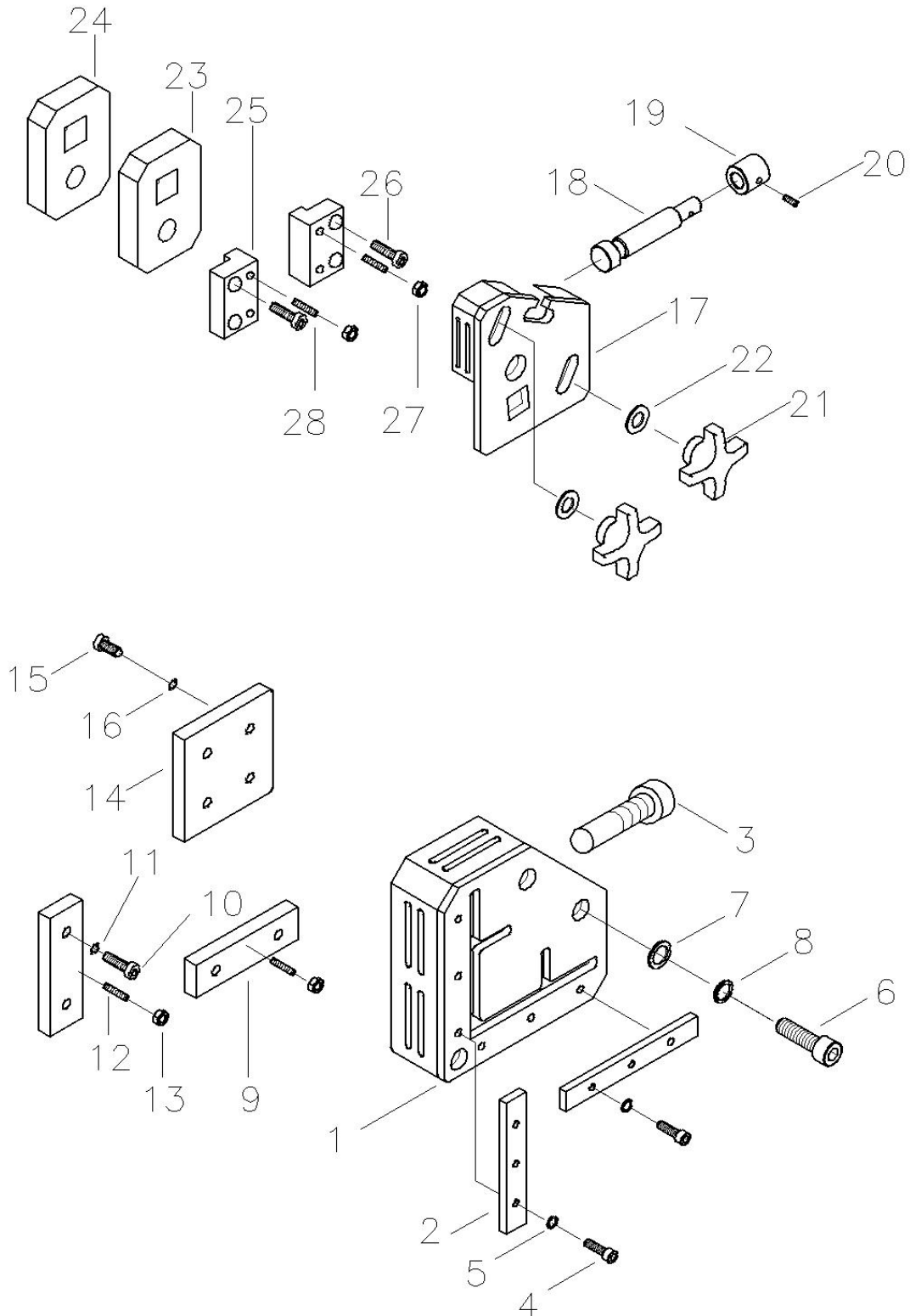
Part: Punching Station

Date: 02/2012

Item	Part Number	Description	產品名稱	Q'ty	Memo	
1	211305002D	Punching Ram	沖孔滑桿	1		
2	211805001B	Ram Support Block	沖孔桿支持座	1		
3	211305003	Bronze Guide Plate	沖孔桿滑塊	1		
4	211810008	Pin	固定銷	2		
5	56301D0114050	Hex Bolt M14X50	六角頭螺栓	4		
6	56303A00014	Spring Washer M14	彈簧墊圈	8		
7	56302B0114	Nut M14	螺帽	4		
8	56301C0008010	Set Screw M8X10	止付內六角螺栓	4		
9	211305090	212211009	Copper Piece	銅墊	1	
10		211305005B	Stripper Adj. Screw (2)	剝料器調整螺桿(二)	1	
11		56301C0006010	Set Screw M6X10	止付內六角螺栓	1	
12		211305006	Stripper Spring	沖孔剝料器彈簧	1	
13		56303D00012024045	Flat Washer M12	平墊圈	2	
14		56301A0012090	Hex Bolt M12X90	六角承窩頭螺栓	1	
15	211305004B	Stripper Adj. Screw (1)	剝料器調整螺桿(一)	1		
16	213205010	Copper Piece	銅墊	2		
17	56301C0010012	Set Screw M10X12	止付內六角螺栓	2		
18	42STAD	42STAC004C	Stripper	沖孔剝料器	1	
19		42STAC002	Stripper Clear Cover	剝料器安全護板	1	
20		56303A00005	Spring Washer M5	彈簧墊圈	4	
21		56301A0005012	Hex Bolt M5X12	六角承窩頭螺栓	4	
22		42STBC004	Washer	墊片	2	
23		56301I0005008	Cap Screw M5X8	半圓內六孔	2	
24		42STBC003A-20 42STBC003A-42	Stripper Exchangeable Plate	剝料器底板	1	
25	211605100	211605002D	Punching Table A (Main)	沖孔工作板(A)	1	
26		211605004C	Punching Table B (Front)	沖孔工作板(B)	1	
27		56301A0008016	Hex Bolt M8X16	六角承窩頭螺栓	3	
28		211305009B	Table Connecting Plate	工作板連結塊	2	
29		56301A0010025	Hex Bolt M10X25	六角承窩頭螺栓	2	
30		56303A00010	Spring Washer M10	彈簧墊圈	6	
31		56315404163M1025	Clamp Handle M10X25	萬向把手	2	
32		56303B11012025	Flat Washer M10	平墊圈	2	



## Angle and Bar Shear Station for IW-50A





**SUNRISE Fluid Power Inc.**

No. 7, Road 12, Industrial Zone, Taichung City 407, Taiwan

Tel: 886-4-2359-1190

Fax: 886-4-2359-3409

sales@sunriseiw.com.tw

www.sunriseiw.com.tw

## Sunrise Ironworker Parts List

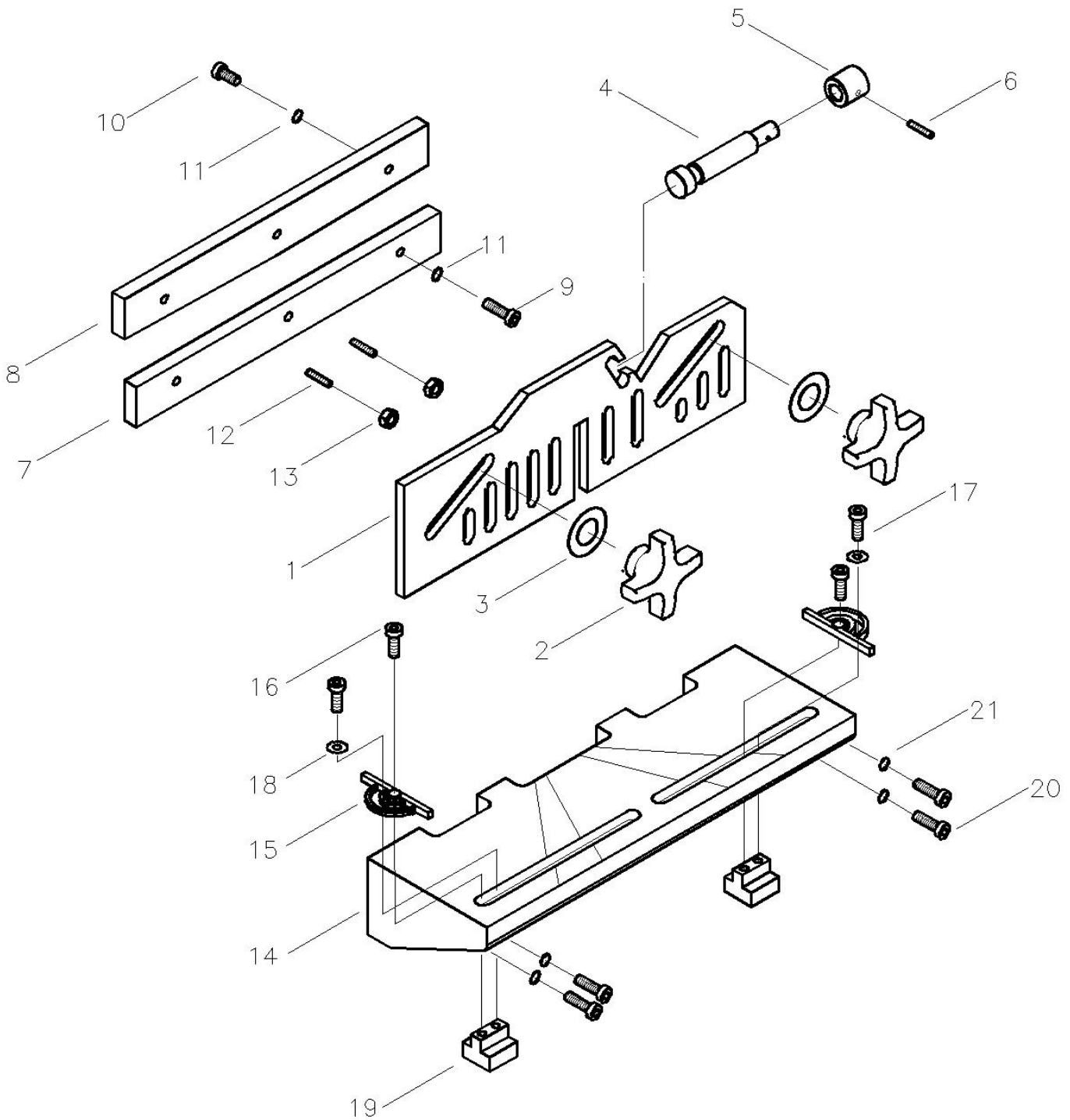
Model: IW-50A

Part: Angle and Bar Shear Station

Date: 02/2012

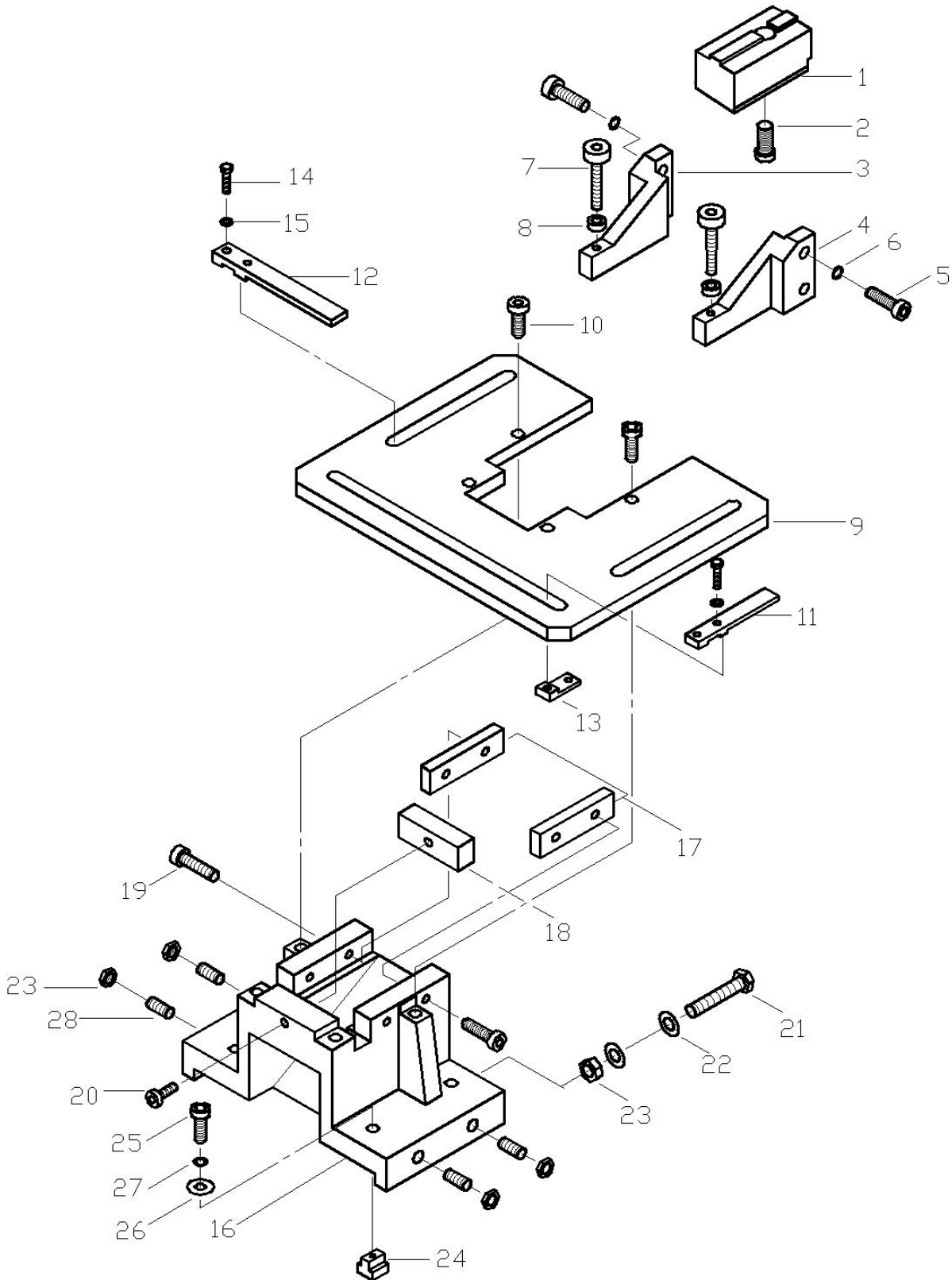
Item	Part Number		Description	產品名稱	Q'ty	Memo
1	211807901	211807002C	Angle Shear Holddown	角鐵剪切座	1	
		211907002				
		211802016A				
		211802017A				
2	211307005A		Angle Holddown Adjusting Plate	L型鐵座調整塊	2	
3	211810005		Angle Holddown Screw	L型鐵座調整螺桿	1	
4	56301A0010020		Hex Bolt M10x20	六角承窩頭螺栓	6	
5	56303A00010		Spring Washer M10	彈簧墊圈	6	
6	56301A0020030		Hex Bolt M20X30	六角承窩頭螺栓	3	
7	56303B00020037040		Flat Washer M20	平墊圈	3	
8	HW-WSBS20		Spring Washer M20	彈簧墊圈	3	
9	211507002C		Angle Shear Stationary blade	剪角鐵刀具(固定)	2	
10	56301A0014040		Hex Bolt M14X40	六角承窩頭螺栓	4	
11	56303A00014		Spring Washer M14	彈簧墊圈	4	
12	56301C0010025		Set Screw M10X25	止付內六角螺栓	6	
13	56302B0110		Nut M10	螺帽	6	
14	211807004B		Angle Shear Moving Blade	剪角鐵刀具(活動)	1	
15	56301A0014045		Hex Bolt M14X45	六角承窩頭螺栓	3	
16	56303A00014		Spring Washer M14	彈簧墊圈	3	
17	1809900	211809001A	Rd/Sq Shear Holddown	圓方壓板	1	
		211802014				
		211802015A				
18	211810900A	211810006C	Shear Holddown Screw	平板,圓方壓板調整螺桿	1	
19		211810009	Handle for Screw	調整螺桿握把		
20		56301C0008006	Set Screw M8X6	止付內六角螺絲		
21	56314DIN633576		Fix Nut for Holddown	十字旋鈕(不銹鋼)	2	
22	56303B11020040		Flat Washer M16	平墊圈	2	
23	211809002		Rd/Sq Shear Stationary Blade	圓方刀具(固定)	1	
24	211809003		Rd/Sq Shear Moving Blade	圓方刀具(活動)	1	
25	211309004		Rd/Sq Shear Blade Fix Plate	圓方刀具固定塊	2	
26	56301A0012020		Hex Bolt M12X20	六角承窩頭螺栓	4	
27	56302B0110		Nut M10	螺帽	4	
28	56301C8010040		Set Screw M10X40	止付內六角螺栓	4	

## Flat Shear Station for IW-50A





## Notching Station Assembly for IW-50A / 60H





**SUNRISE Fluid Power Inc.**

No. 7, Road 12, Industrial Zone, Taichung City 407, Taiwan

Tel: 886-4-2359-1190

Fax: 886-4-2359-3409

sales@sunriseiw.com.tw

www.sunriseiw.com.tw

## Sunrise Ironworker Parts List

Model: IW-50A/60H

Part: Notching Station

Date: 02/2012

Item	Part No	Description	產品名稱	Q'ty	Memo
1	213206001A	Notcher Top Blade	方型剪角刀具	1	
2	56301A0018035	Hex Bolt M18X35	六角承窩頭螺栓	1	
3	211306004A	Notching Stripper (left)	剪角剝料器(左)	1	
4	211306005A	Notching Stripper (right)	剪角剝料器(右)	1	
5	56301A0012030	Hex Bolt M12X30	六角承窩頭螺栓	4	
6	56303A00012	Spring Washer M12	彈簧墊圈	4	
7	56301A0008050	Hex Bolt M8X50	六角承窩頭螺栓	2	
8	56302B0108	Nut M8	六角螺帽	2	
9	211606100	211606003A	Notching Table	剪角工作板	1
10		56301A0008016	Hex Bolt M8X16	六角承窩頭螺栓	4
11		211605008A	Stopper Plate (short)	工作板定位塊(短)	1
12		211606007	Stopper Plate (long)	工作板定位塊(長)	1
13		211605009A	Clamping Plate	定位板固定滑塊	2
14		56301A0010040	Hex Bolt M10X40	六角承窩頭螺栓	4
15		56303A00010	Spring Washer M10	彈簧墊圈	4
16		211306008D	Notching Bolster	方型剪角下模座	1
17	211306002F	Notcher Side Blade	方型剪角側刀	2	
18	211306003C	Notcher Front Blade	方型剪角前刀	1	
19	56301A0010020	Hex Bolt M10X20	六角承窩頭螺栓	4	
20	56301A0010035	Hex Bolt M10X35	六角承窩頭螺栓	1	
21	HW-BTD12055	Hex Bolt M12X55	六角頭螺栓	2	
22	56303D00012024045	Flat Washer M12	平墊圈	4	
23	56302B0112	Nut M12	六角螺帽	6	
24	211305012	T-Shaped Nut M12	T形螺帽	4	
25	56301A0012050	Hex Bolt M12X50	六角承窩頭螺栓	4	
26	56303D00012024045	Flat Washer M12	平墊圈	4	
27	56303A00012	Spring Washer M12	彈簧墊圈	4	
28	56301C0012025	Set Screw M12X25	止付內六角螺栓	4	

## Standard BackGauge Assembly

