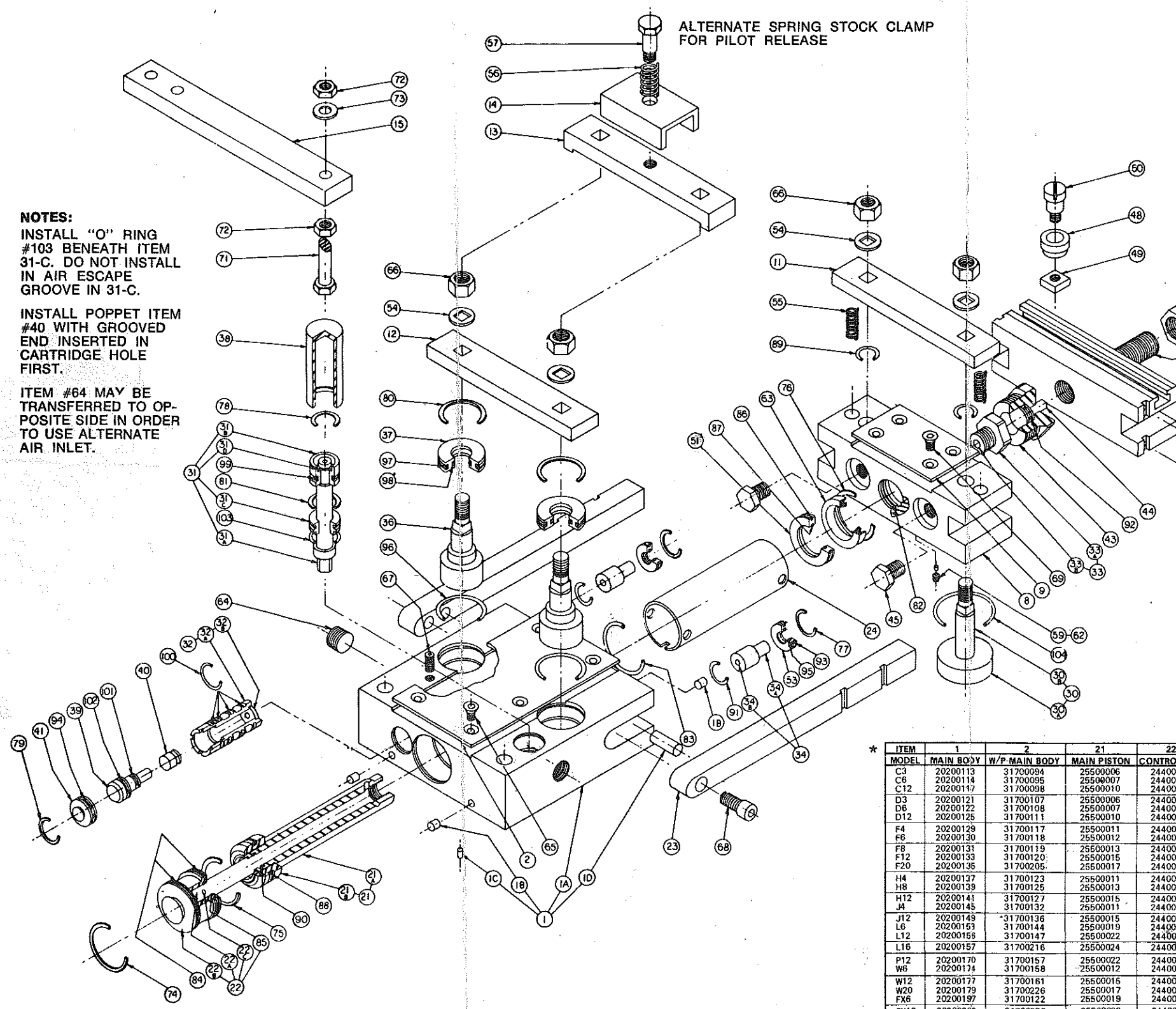
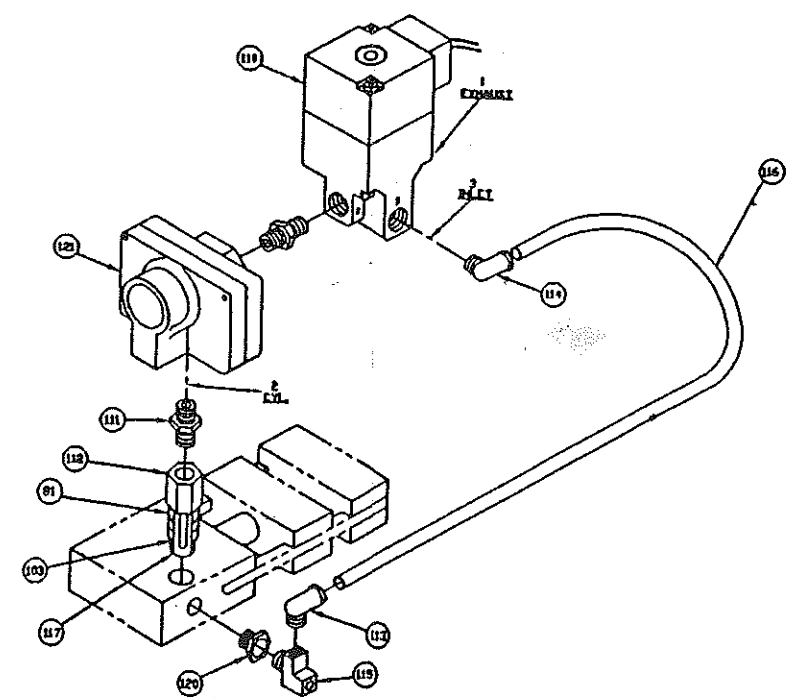


SERIES C, D, F, H, J, W, L, P, FX, LX

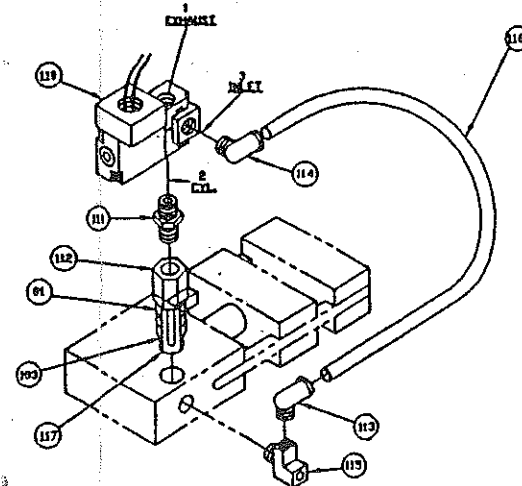
**NOTES:**  
 INSTALL "O" RING #103 BENEATH ITEM 31-C. DO NOT INSTALL IN AIR ESCAPE GROOVE IN 31-C.  
 INSTALL POPPET ITEM #40 WITH GROOVED END INSERTED IN CARTRIDGE HOLE FIRST.  
 ITEM #64 MAY BE TRANSFERRED TO OPPOSITE SIDE IN ORDER TO USE ALTERNATE AIR INLET.



ALTERNATE SPRING STOCK CLAMP FOR PILOT RELEASE



OPTIONAL ELECTRIC VALVE INSTALLATION  
 MODELS L, P, FX, LX



MODELS C, D, F, H, J, W

ITEM	1	2	21	22	23	24	33	34
MODEL	MAIN BODY	W/P MAIN BODY	MAIN PISTON	CONTROL TUBE	GUIDE RAIL	MAIN PISTON SLEEVE	Shaft Rot. Ass'y	Cushion Piston Ass'y
C3	20200113	31700094	25500006	24400006	33600060	33900038	25800003	25500050
C8	20200114	31700095	25500007	24400007	33600061	33900039	25800004	25500049
C12	20200117	31700098	25500010	24400010	33600064	33900042	25800004	25500049
D3	20200121	31700107	25500006	24400006	33600060	33900038	25800003	25500050
D6	20200122	31700108	25500007	24400007	33600061	33900039	25800005	25500049
D12	20200125	31700111	25500010	24400010	33600064	33900042	25800004	25500049
F4	20200129	31700117	25500011	24400014	33600068	33900046	25800005	25500044
F6	20200130	31700118	25500012	24400015	33600069	33900047	25800005	25500044
F8	20200131	31700119	25500013	24400016	33600070	33900048	25800005	25500044
F12	20200133	31700120	25500015	24400018	33600072	33900050	25800005	25500044
F20	20200135	31700205	25500017	24400020	33600074	33900052	25800004	25500048
H4	20200137	31700123	25500011	24400014	33600068	33900046	25800005	25500044
H8	20200139	31700125	25500013	24400016	33600070	33900048	25800004	25500044
H12	20200141	31700127	25500015	24400018	33600072	33900050	25800004	25500048
J4	20200145	31700132	25500011	24400014	33600068	33900046	25800004	25500045
J12	20200149	31700136	25500015	24400018	33600072	33900050	25800004	25500045
L6	20200153	31700144	25500019	24400022	33600076	33900054	25800001	25500037
L12	20200155	31700147	25500022	24400025	33600079	33900057	25800001	25500037
L16	20200157	31700216	25500024	24400026	33600080	33900058	25800001	25500037
P12	20200170	31700157	25500022	24400025	33600079	33900057	25800001	25500037
W6	20200174	31700158	25500012	24400015	33600090	33900076	25800005	25500044
W12	20200177	31700161	25500015	24400018	33600093	33900079	25800005	25500044
W20	20200179	31700226	25500017	24400020	33600095	33900081	25800005	25500048
FX6	20200197	31700122	25500019	24400022	33600076	33900054	25800001	25500037
FX12	20200200	31700233	25500022	24400025	33600079	33900057	25800001	25500037
LX12	20200228	31700264	25500032	24400033	33600086	33900065	25800002	25500037

ITEM	DESCRIPTION	QTY.	C SERIES PART NO.	D SERIES PART NO.	F SERIES PART NO.	H SERIES PART NO.	J SERIES PART NO.	W SERIES PART NO.	L SERIES PART NO.	P SERIES PART NO.	FX SERIES PART NO.	LX SERIES PART NO.
1	MAIN BODY ASSEMBLY	1	*	*	*	*	*	*	*	*	*	*
2	WEAR PLATE, MAIN BODY	1	*	*	*	*	*	*	*	*	*	*
8	SLIDE BLOCK	1	30700053	30700055	30700057	30700059	30700061	30700069	30700063	30700068	30700058	30700065
9	WEAR PLATE, SLIDE BLOCK	1	31700176	31700178	31700180	31700182	31700184	31700191	31700186	31700190	31700181	31700186
10	STOP BLOCK	1	30700074	30700076	30700078	30700080	30700082	30700090	30700084	30700089	30700079	30700086
11	FEED CLAMP *	1	31900061	31900064	31900066	31900068	31900070	31900079	31900072	31900078	31900067	31900074
12	STOCK CLAMP	1	31900085	31900088	31900090	31900092	31900094	31900103	31900096	31900102	31900091	31900098
13	SPEC. STOCK CLAMP BODY	1	31900109	31900111	31900113	31900115	31900117	31900124	31900119	31900123	31900114	31900121
14	SPEC. STOCK CLAMP HOLDER	1	31900127	31900127	31900128	31900128	31900128	31900127	31900129	31900190	31900129	31900130
15	PUNCH HOLDER BRACKET	1	31900057	31900057	31900057	31900057	31900057	31900057	31900057	31900057	31900057	31900057
21	MAIN PISTON ASSEMBLY	1	*	*	*	*	*	*	*	*	*	*
22	CONTROL TUBE ASSEMBLY	1	*	*	*	*	*	*	*	*	*	*
23	GUIDE RAIL	2	*	*	*	*	*	*	*	*	*	*
24	MAIN PISTON SLEEVE	1	*	*	*	*	*	*	*	*	*	*
30	FEED CLAMP PISTON ASSEMBLY	2	25600001	25600001	25600002	25600002	25600002	25600004	25600003	25600003	25600003	25600005
31	ACTUATING VALVE ASSEMBLY	1	25000001	25000001	25000001	25000001	25000001	25000001	25000002	25000002	25000002	25000002
32	CARTRIDGE ASSEMBLY	1	23900000	23900000	23900001	23900001	23900001	23900001	23900002	23900002	23900002	23900002
33	SHAFT RETAINER ASSEMBLY	1	*	*	*	*	*	*	*	*	*	*
34	CUSHION PISTON ASSEMBLY	2	*	*	*	*	*	*	*	*	*	*
36	STOCK CLAMP PISTON	2	35500098	35500098	35500098	35500098	35500098	35500098	35500099	35500099	35500099	35500100
37	STOCK CLAMP PISTON RETAINER	2	35800013	35800013	35800013	35800013	35800013	35800013	35800014	35800014	35800014	35800015
38	ACTUATING VALVE CAP	1	35900005	35900005	35900005	35900005	35900005	35900005	35900006	35900006	35900006	35900006
39	PILOT OPERATED VALVE	1	35500138	35500138	35500139	35500139	35500139	35500139	35500140	35500140	35500140	35500140
40	POPPET	1	35100008	35100008	35100009	35100009	35100009	35100009	35100010	35100010	35100010	35100010
41	RET. PILOT OPERATED VALVE	1	35800017	35800017	35800018	35800018	35800018	35800018	35800019	35800019	35800019	35800019
42	STOP BLOCK CLAMP	2	31900132	31900132	31900133	31900133	31900133	31900133	31900134	31900134	31900134	31900135
43	MAIN CUSHION BOLT	1	36100007	36100007	36100008	36100008	36100008	36100008	36100009	36100009	36100009	36100010
44	REAR CUSHION PISTON	1	35500141	35500141	35500142	35500142	35500142	35500142	35500143	35500143	35500143	35500143
45	CUSHION BOLT	2	36100011	36100011	36100011	36100011	36100011	36100011	36100012	36100012	36100012	36100012
46	ADJUSTING SCREW	1	66700007	66700007	66700007	66700007	66700007	66700007	66700008	66700008	66700008	66700008
47	ADJUSTING SCREW LOCKNUT	1	65106218	65106218	65106218	65106218	65106218	65106218	65106218	65106218	65106218	65106218
48	ROLLER	2	34200006	34200006	34200006	34200006	34200006	34200006	34200007	34200007	34200007	34200007
49	STOCK GUIDE NUT	2	36200006	36200006	36200006	36200006	36200006	36200006	36200007	36200007	36200007	36200007
50	STOCK GUIDE SCREW	2	35900008	35900008	35900008	35900008	35900008	35900008	35900009	35900009	35900009	35900009
51	MAIN PISTON RETAINER	1	35800021	35800021	35800022	35800022	35800022	35800022	35800023	35800023	35800023	35800024
53	CUSHION PISTON RETAINER	2	35800025	35800025	35800025	35800025	35800025	35800025	35800026	35800026	35800026	35800026
54	CLAMP WASHER	4	34700004	34700004	34700004	34700004	34700004	34700004	34700005	34700005	34700005	34700006
55	SPRING	2	37500009	37500009	37500010	37500010	37500010	37500010	37500011	37500011	37500011	37500011
56	SPRING	1	37500013	37500013	37500013	37500013	37500013	37500013	37500014	37500014	37500014	37500014
57	SHOULDER SCREW	1	36100015	36100015	36100015	36100015	36100015	36100015	36100016	36100016	36100016	36100016
59	PLUG	1	33600098	33600098	33600098	33600098	33600098	33600098	33600098	33600098	33600098	33600098
62	SET SCREW	1	66212025	66212025	66212025	66212025	66212025	66212025	66212025	66212025	66212025	66212025
63	WIPER SEAL	1	60200010	60200010	60200018	60200018	60200018	60200018	60200021	60200021	60200021	60200026
64	PIPE PLUG	as req.	63130250	63130250	63130250	63130250	63130250	63130250	63130500	63130500	63130500	63130500
65	SOCKET FLAT HD. CAP SCREW	as req.	66512037	66512037	66512037	66512037	66512037	66512037	66512037	66512037	66512037	66512037
66	LOCKNUT HEX HEAD	4	65203724	65203724	65203724	65203724	65203724	65203724	65205020	65205020	65205020	65207516
67	SPEED ADJUSTING SCREW	1	66700404	66700404	66700435	66700435	66700435	66700435	66700453	66700453	66700453	66700453
68	SOCKET HEAD CAP SCREW	2	65931062	65931062	65931087	65931087	65931087	65931087	65936150	65936150	65936150	65936150
69	SOCKET FLAT HEAD CAP SCREW	as req.	66512037	66512037	66512037	66512037	66512037	66512037	66512037	66512037	66512037	66512037
70	SOCKET HEAD CAP SCREW	4	65912062	65912062	65912062	65912062	65912062	65912062	65912062	65912062	65912062	65912062
71	HEX HEAD CAP SCREW	1	66700814	66700814	66700814	66700814	66700814	66700814	66700814	66700814	66700814	66700814
72	HEX NUT	2	65103118	65103118	65103118	65103118	65103118	65103118	65103118	65103118	65103118	65103118
73	WASHER	1	61200020	61200020	61200020	61200020	61200020	61200020	61200020	61200020	61200020	61200020
74	SNAP RING	1	60900137	60900137	60900162	60900162	60900162	60900162	60900200	60900200	60900200	60900250
75	SNAP RING	1	60900137	60900137	60900162	60900162	60900162	60900162	60900200	60900200	60900200	60900250
76	SNAP RING	1	60900137	60900137	60900162	60900162	60900162	60900162	60900200	60900200	60900200	60900250
77	SNAP RING	2	60900075	60900075	60900075	60900075	60900075	60900075	60900125	60900125	60900125	60900125
78	SNAP RING	1	60900075	60900075	60900075	60900075	60900075	60900075	60900087	60900087	60900087	60900087
79	SNAP RING	1	60900075	60900075	60900087	60900087	60900087	60900087	60900118	60900118	60900118	60900118
80	SNAP RING	2	60900125	60900125	60900125	60900125	60900125	60900125	60900150	60900150	60900150	60900200
81	SNAP RING	1	60900081	60900081	60900081	60900081	60900081	60900081	60900093	60900093	60900093	60900093
82	"O" RING	1	60108020	60108020	60108020	60108020	60108020	60108020	60108022	60108022	60108022	60108026
83	"O" RING	1	60108126	60108126	60108130	60108130	60108130	60108130	60108136	60108136	60108136	60108144
84	"O" RING	2	60108026	60108026	60108029	60108029	60108029	60108029	60108032	60108032	60108032	60108036
85	"O" RING	1	60108013	60108013	60108013	60108013	60108013	60108013	60108013	60108013	60108013	60108016
86	"O" RING	1	60108026	60108026	60108029	60108029	60108029	60108029	60108133	60108133	60108133	60108228
87	"O" RING	1	60118118	60118118	60118118	60118118	60118118	60118118	60118120	60118120	60118120	60118218
88	"O" RING	1	60108214	60108214	60108218	60108218	60108218	60108218	60108222	60108222	60108222	60108226
89	"O" RING	2	60108112	60108112	60108114	60108114	60108114	60108114	60108116	60108116	60108116	60108120
90	"O" RING	1	60108111	60108111	60108111	60108111	60108111	60108111	60108111	60108111	60108111	60108114
91	"O" RING	2	60108014	60108014	60108014	60108014	60108014	60108014	60108116	60108116	60108116	60108116
92	"O" RING	1	60108011	60108011	60108014	60108014	60108014	60108014	60108115	60108115	60108115	60108115
93	"O" RING	2	60108016	60108016	60108016	60108016	60108016	60108016	60108121	60108121	60108121	60108121
94	"O" RING	1	60108016	60108016	60108018	60108018	60108018	60108018	60108023	60108023	60108023	60108023
95	"O" RING	2	60108011	60108011	60108011	60108011	60108011	60108011	60108114	60108114	60108114	60108114
96	"O" RING	2	60108122	60108122	60108122	60108122	60108122	60108122	60108220	60108220	60108220	60108132
97	"O" RING	2	60108121	60108121	60108121	60108121	60108121	60108121	60108218	60108218	60108218	60108224
98	"O" RING	2	60108113	60108113	60108113	60108113	60108113	60108113	60108211	60108211	60108211	60108214
99	"O" RING	1	60118113	60118113	60118113	60118113	60118113	60118113	60118115	60118115	60118115	60118115
100	"O" RING	4	60108016	60108016	60108018	60108018	60108018	60108018	60108023	60108023	60108023	60108023
101	"O" RING	1	60108011	60108011	60108012	60108012	60108012	60108012	60108111	60108111	60108111	60108111
102	"O" RING	1	60108013	60108013	60108015	60108015	60108015	60108015	60108115	60108115	60108115	