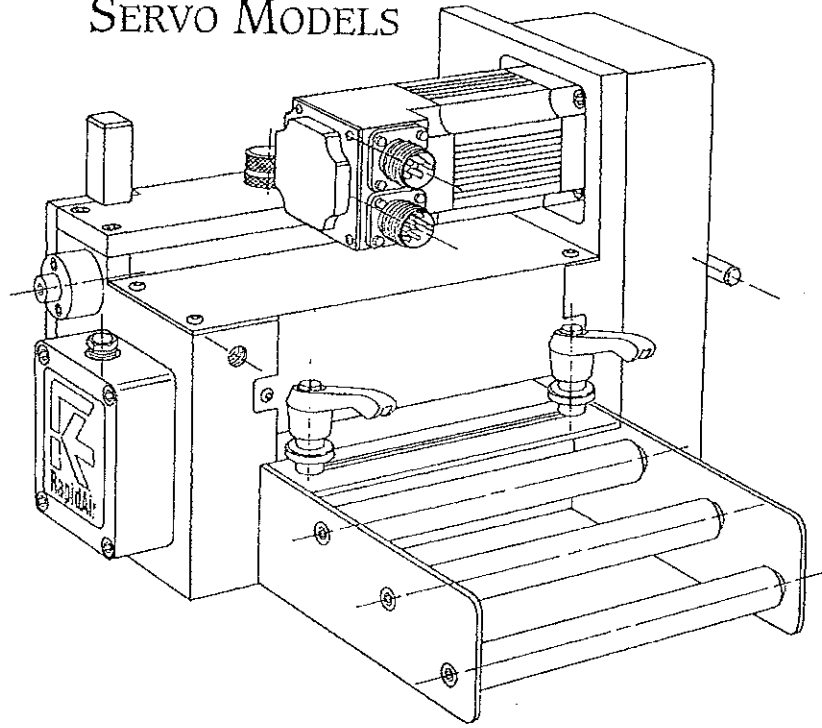
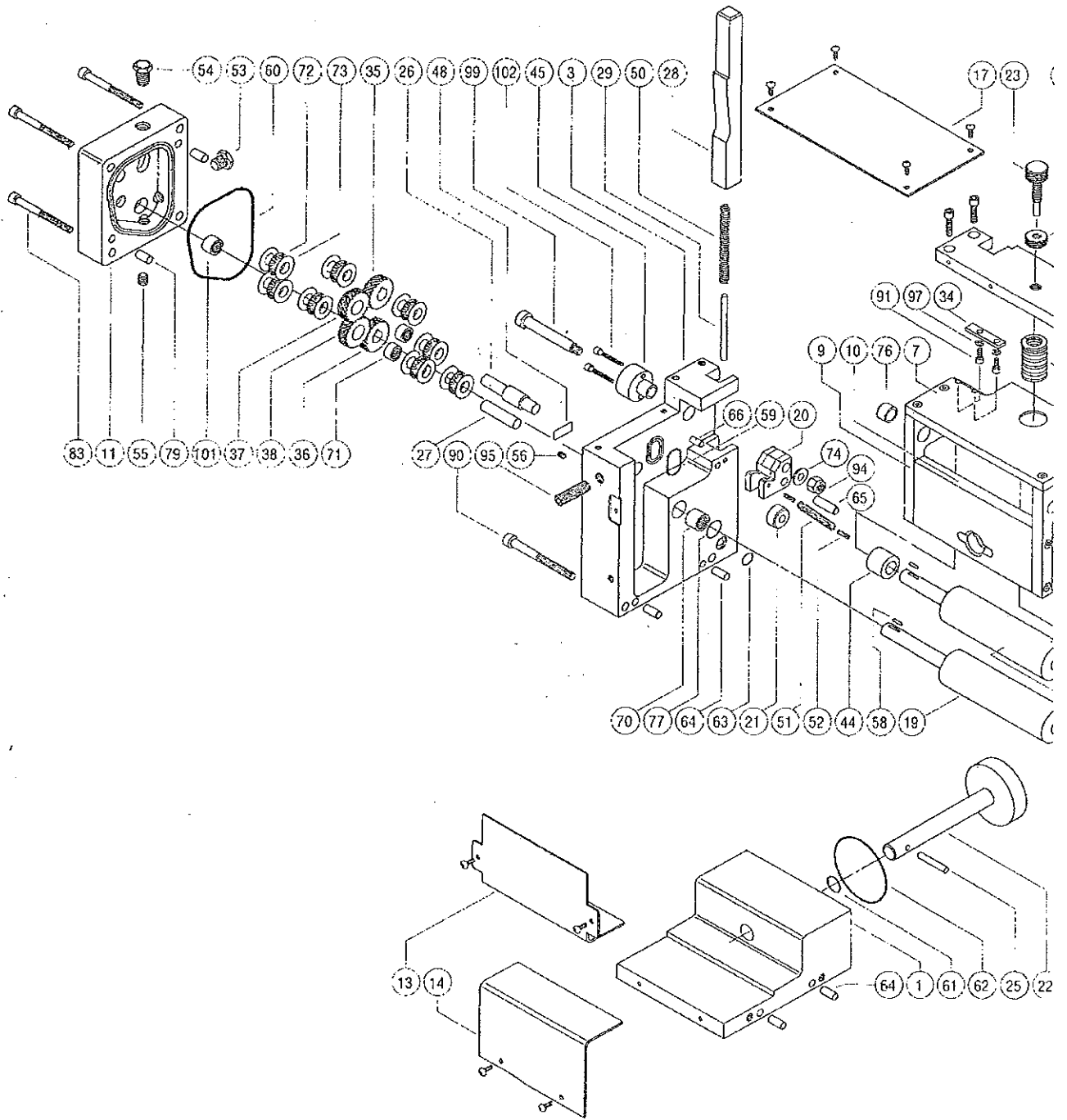


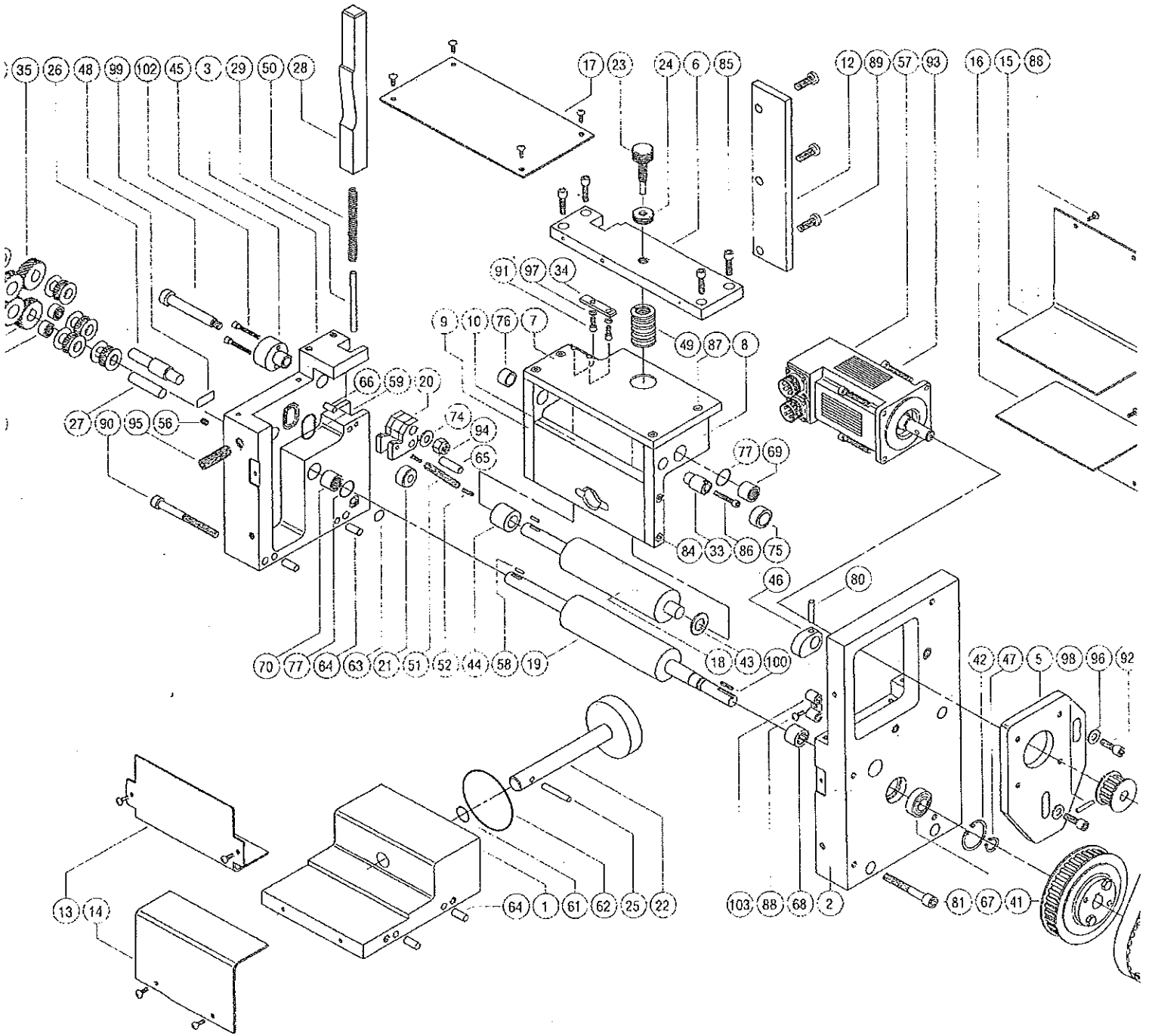


Roll Feeds

Parts List 100 Series SERVO MODELS



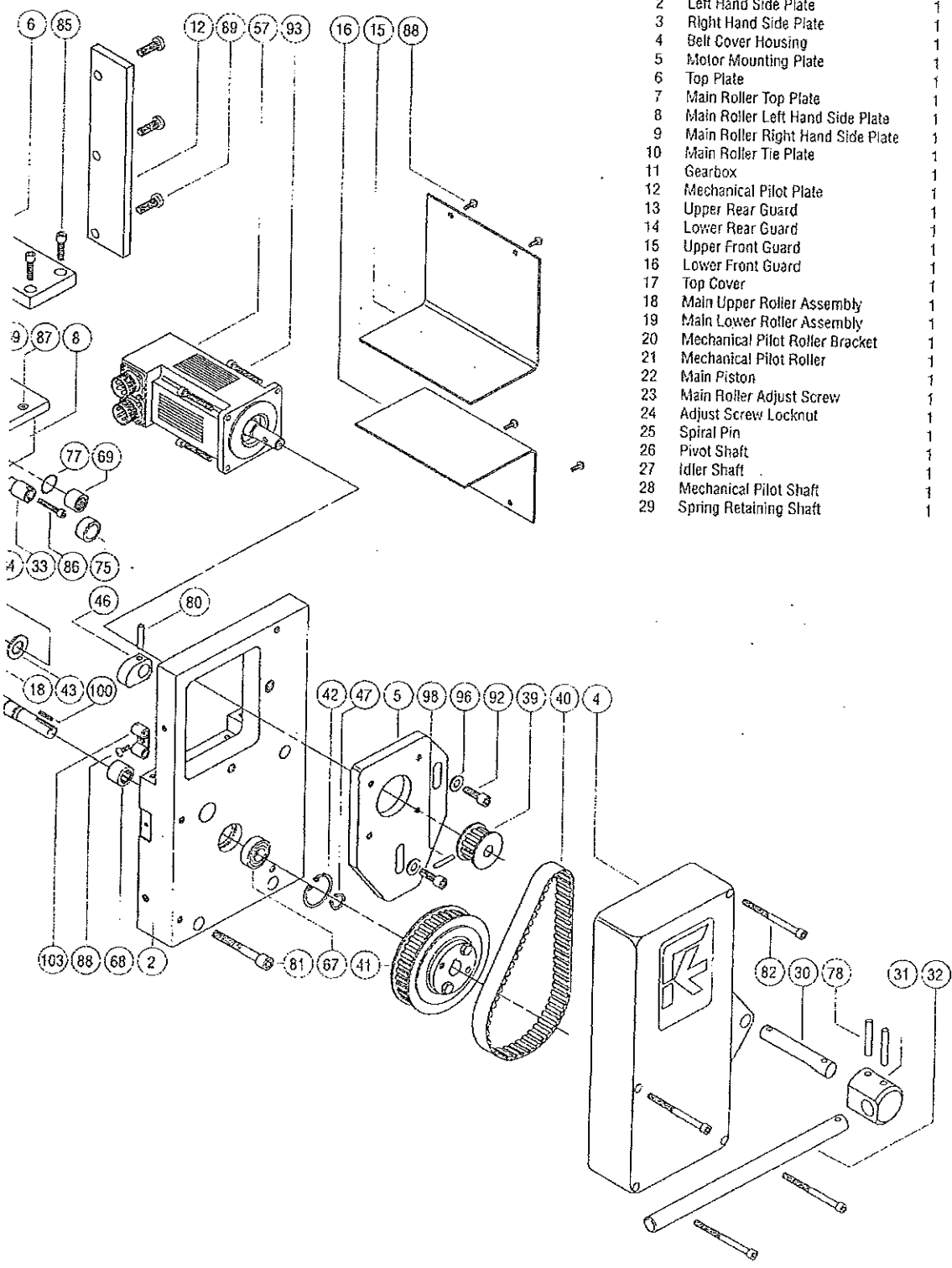




1085

Model

Item	Description	Qty.	104B Part No.	108B Part No.	112B Part No.
1	Piston Housing	1	30100155	30100158	3010015
2	Left Hand Side Plate	1	31701476	31701476	3170147
3	Right Hand Side Plate	1	31701477	31701477	3170147
4	Belt Cover Housing	1	30100156	30100156	3010015
5	Motor Mounting Plate	1	31701484	31701484	3170148
6	Top Plate	1	31701478	31701486	3170148
7	Main Roller Top Plate	1	31701479	31701487	3170149
8	Main Roller Left Hand Side Plate	1	31701480	31701480	3170148
9	Main Roller Right Hand Side Plate	1	31701481	31701481	3170148
10	Main Roller Tie Plate	1	31701483	31701488	3170149
11	Gearbox	1	30100157	30100157	3010015
12	Mechanical Pilot Plate	1	31701482	31701482	3170148
13	Upper Rear Guard	1	31400306	31400311	3140031
14	Lower Rear Guard	1	31400307	31400312	3140031
15	Upper Front Guard	1	31400304	31400309	3140031
16	Lower Front Guard	1	31400305	31400310	3140031
17	Top Cover	1	31400308	31400313	3140031
18	Main Upper Roller Assembly	1	24400141	24400142	2440014
19	Main Lower Roller Assembly	1	24400145	24400146	2440014
20	Mechanical Pilot Roller Bracket	1	21900136	21900136	2190013
21	Mechanical Pilot Roller	1	34200158	34200158	3420015
22	Main Piston	1	25500065	25500065	2550006
23	Main Roller Adjust Screw	1	36100078	36100078	3610007
24	Adjust Screw Locknut	1	36200031	36200031	3620003
25	Spiral Pin	1	62131150	62131150	6213115
26	Pivot Shaft	1	32900553	32900553	3290055
27	Idler Shaft	1	32900554	32900554	3290055
28	Mechanical Pilot Shaft	1	32900551	32900551	3290055
29	Spring Retaining Shaft	1	32900572	32900572	3290057

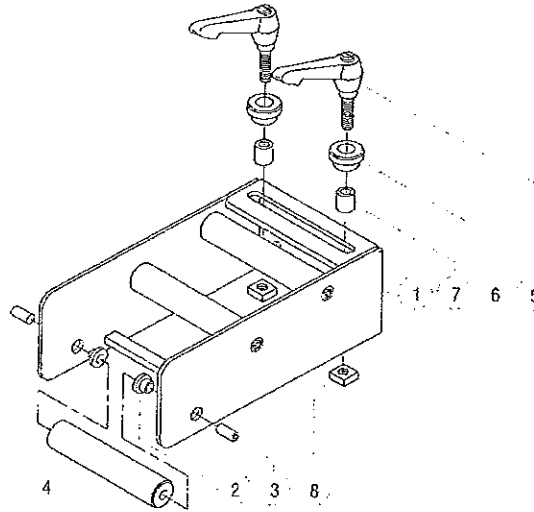


1085
2

118B Part No.	Item	Description	Qty.	104B Part No.	108B Part No.	112B Part No.	118B Part No.
30100160	30	Main Cam Shaft	1	32900552	32900552	32900552	32900552
31701476	31	Main Cam Handle Shaft	1	32900563	32900563	32900563	32900563
31701477	32	Main Cam Handle	1	36600021	36600021	36600021	36600021
30100156	33	Main Roller Eccentric Shaft	1	32900564	32900564	32900564	32900564
31701484	34	Wear Plate	1	31701485	31701485	31701485	31701485
31701492	35	Helical Gear	1	32600182	32600182	32600182	32600182
31701493	36	Helical Gear	1	32600181	32600181	32600181	32600181
31701480	37	Helical Gear	1	32600184	32600184	32600184	32600184
31701494	38	Helical Gear	1	32600183	32600183	32600183	32600183
30100157	39	Pulley	1	32500001	32500001	32500001	32500001
31701482	40	Timing Belt	1	32500003	32500003	32500003	32500003
31400321	41	Pulley & Bushing	1	32500002	32500002	32500002	32500002
31400322	42	Retaining Ring	1	60900137	60900137	60900137	60900137
31400319	43	Roller Spacer	1	34100218	34100218	34100218	34100218
31400320	44	Roller Spacer	1	34100234	34100234	34100234	34100234
31400323	45	Spacer	1	32900555	32900555	32900555	32900555
24400144	46	Main Roller Cam	1	36500033	36500033	36500033	36500033
24400148	47	Retaining Ring	1	60910066	60910066	60910066	60910066
21900136	48	Label "INLET"	1	39900175	39900175	39900175	39900175
34200158	49	Spring (Light)	1	37500107	37500107	37500107	37500107
25500065	50	Spring	1	37500116	37500116	37500116	37500116
36100078	51	Spring	1	37500115	37500115	37500115	37500115
36200031	52	Spring Anchor	2	36100075	36100075	36100075	36100075
62131150	53	Oil Sight	1	67700001	67700001	67700001	67700001
32900553	54	Breather	1	69420010	69420010	69420010	69420010
32900554	55	Pipe Plug 3/8"	1	63130375	63130375	63130375	63130375
32900551	56	Pipe Plug 1/8"	1	63130125	63130125	63130125	63130125
32900572	57	Motor	1	69000023	69000023	69000023	69000023
	58	Key	2	36800030	36800030	36800030	36800030
	59	O-ring	2	60108214	60108214	60108214	60108214
	60	O-ring	1	60108238	60108238	60108238	60108238
	61	O-ring	1	60108208	60108208	60108208	60108208
	62	O-ring	1	60108228	60108228	60108228	60108228
	63	O-ring	1	60108204	60108204	60108204	60108204
	64	Pull Dowel	4	62231075	62231075	62231075	62231075
	65	Dowel	1	62350150	62350150	62350150	62350150
	66	Roll Pin	1	62437100	62437100	62437100	62437100
	67	Ball Bearing	1	64600053	64600053	64600053	64600053
	68	Needle Bearing	1	64500053	64500053	64500053	64500053
	69	Needle Bearing	2	64500018	64500018	64500018	64500018
	70	Needle Bearing	1	64500003	64500003	64500003	64500003
	71	Needle Bearing	2	64500002	64500002	64500002	64500002
	72	Thrust Bearing	8	64510002	64510002	64510002	64510002
	73	Thrust Bearing	16	64520008	64520008	64520008	64520008
	74	Thrust Washer	1	64520026	64520026	64520026	64520026
	75	Bushing	1	33900240	33900240	33900240	33900240
	76	Bushing	1	64100047	64100047	64100047	64100047
	77	Oil Seal	3	60200043	60200043	60200043	60200043
	78	Roll Pin	2	62425150	62425150	62425150	62425150
	79	Dowel Pin	2	62331075	62331075	62331075	62331075
	80	Roll Pin	1	62425100	62425100	62425100	62425100
	81	SHCS	2	65931200	65931200	65931200	65931200
	82	SHCS	4	65920300	65920300	65920300	65920300
	83	SHCS	4	65931175	65931175	65931175	65931175
	84	SHCS	4	65931100	65931100	65931100	65931100
	85	SHCS	4	65931075	65931075	65931075	65931075
	86	SHCS	1	65912125	65912125	65912125	65912125
	87	SHCS	4	65931075	65931075	65931075	65931075
	88	BHSCS	13	66612037	66612037	66612037	66612037
	89	SHCS	3	66700055	66700055	66700055	66700055
	90	SHCS	2	65931250	65931250	65931250	65931250
	91	SHCS	2	65920062	65920062	65920062	65920062
	92	SHCS	2	65936100	65936100	65936100	65936100
	93	SHCS	4	65912075	65912075	65912075	65912075
	94	ESNA Nut	1	65205013	65205013	65205013	65205013
	95	Set Screw	1	66700056	66700056	66700056	66700056
	96	Washer	2	61200026	61200026	61200026	61200026
	97	Lock Washer	2	61320025	61320025	61320025	61320025
	98	Taper Pin	1	62500001	62500001	62500001	62500001
	99	Shoulder Screw	1	66162300	66162300	66162300	66162300
	100	Key	1	36800013	36800013	36800013	36800013
	101	Needle Bearing	1	64500002	64500002	64500002	64500002
	102	SHCS	2	65920100	65920100	65920100	65920100
	103	Wire Clip	2	69280216	69280216	69280216	69280216

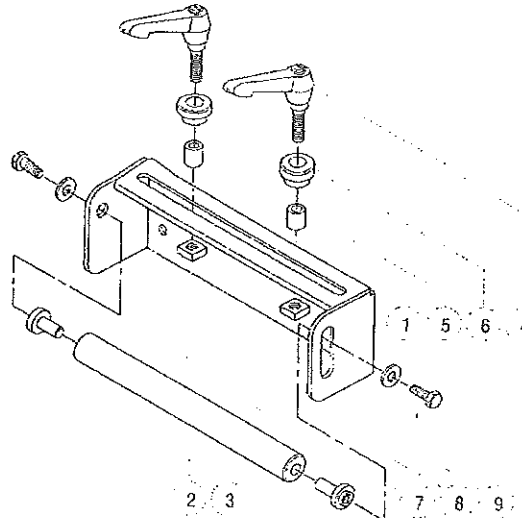
Optional Cascade Assembly

Item	Description	Qty.	4'	8'	12'	18'
1	Bracket	1	21900143	21900145	21900146	21900147
2	Bushing	6	64100048	64100048	64100048	64100048
3	Pull Dowel	6	62237100	62237100	62237100	62237100
4	Roller	3	34200243	34200245	34200246	34200247
5	Handle	2	36600020	36600020	36600020	36600020
6	Stock Guide Roller	2	34200007	34200007	34200007	34200007
7	Sleeve	2	33900237	33900237	33900237	33900237
8	Square Nut	2	65500014	65500014	65500014	65500014



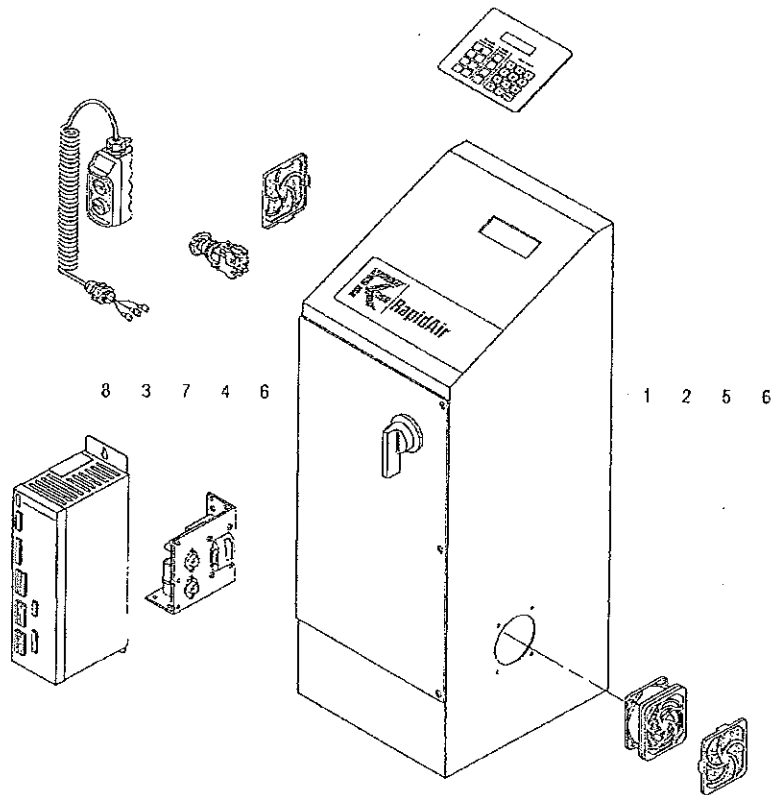
Optional Guide Support Assembly

Item	Description	Qty.	4'	8'	12'	18'
1	Bracket	1	31900561	31900563	31900564	31900565
2	Roller Assembly	1	22900064	22900065	22900043	22900044
3	Pivot Shaft	2	32900573	32900573	32900573	32900573
4	Handle	2	36600020	36600020	36600020	36600020
5	Sleeve	2	33900237	33900237	33900237	33900237
6	Stock Guide Roller	2	34200007	34200007	34200007	34200007
7	Square Nut	2	65500014	65500014	65500014	65500014
8	Washer	2	34700070	34700070	34700070	34700070
9	Screw	2	65831050	65831050	65831050	65831050



Control Cabinet Assembly

Item	Description	100 Series 4' 8" 12" 18" Servo Models
1	Cabinet Assembly	28900245
2	Key Pad Assembly	28900246
3	Drive	69100070
4	Power On/Off Assembly	28900238
5	Fan Assembly	69100642
6	Fan Filter Assembly	69100643
7	Power Supply	69100424
8	Optional Remote Jog	10900448



Rapid-Air Corporation
 4601 Kishwaukee St.
 Rockford, IL 61109-2925
 Phone (815) 397-2578
 Fax (815) 398-3887